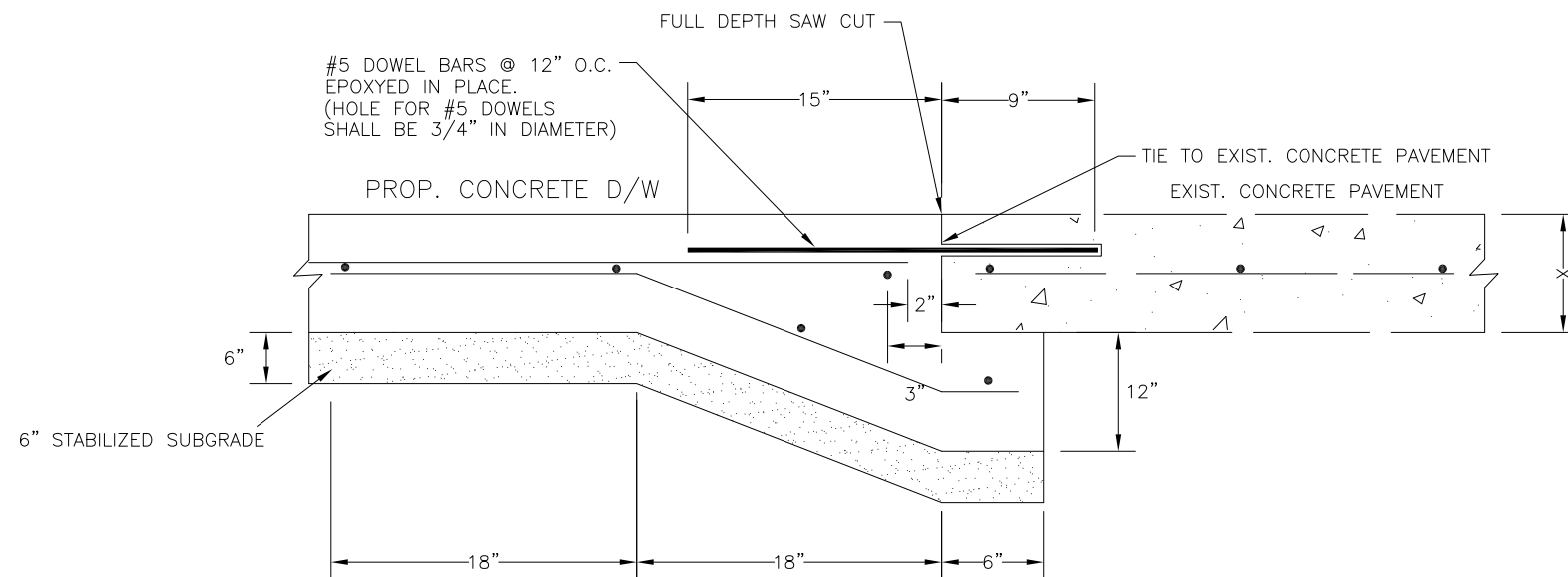


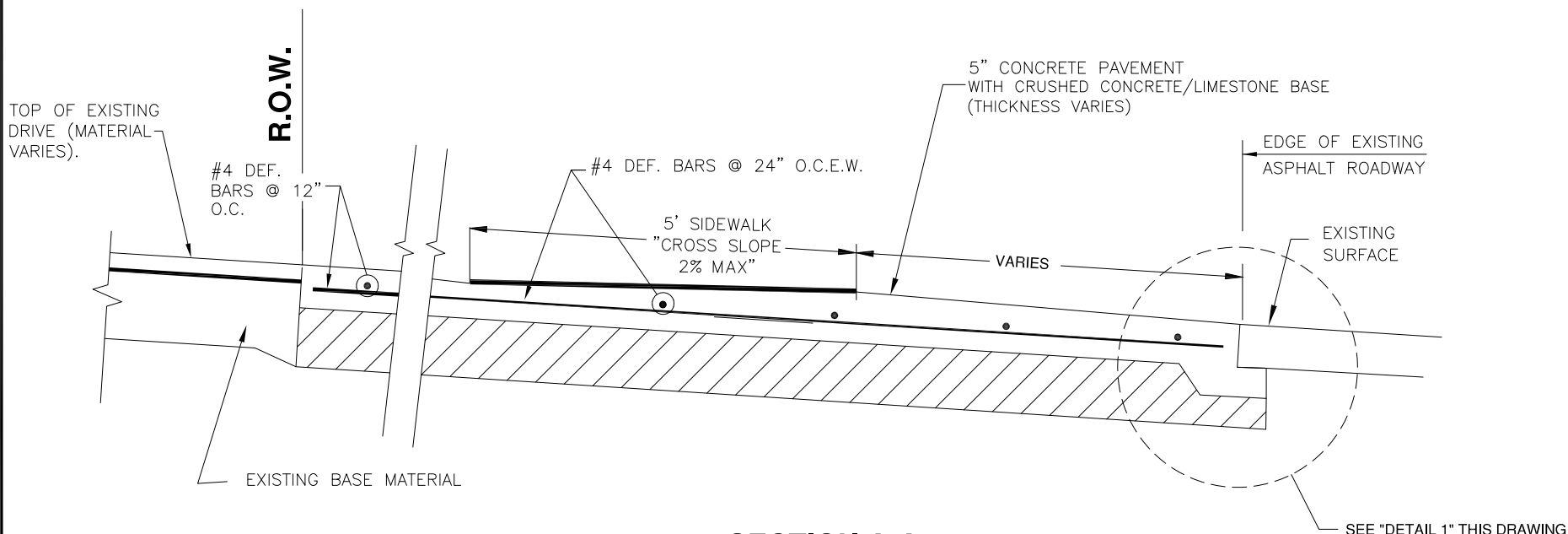
PLAN



DETAIL 1

SCALE: NONE

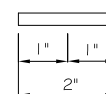
THIS DWG



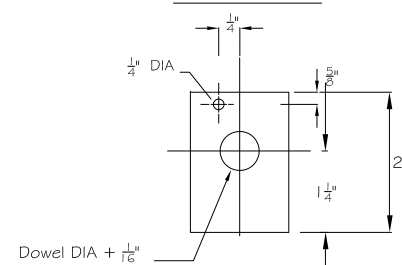
SECTION A-A

SCALE: NTS

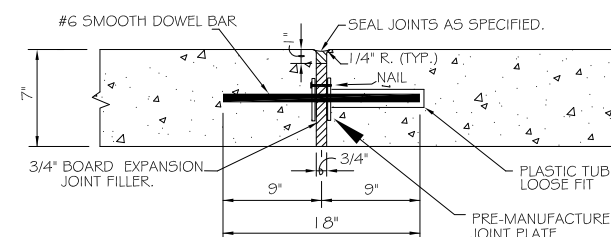
PLAN



ELEVATION



SECTION



DOWEL TYPE EXPANSION JOINT

SCALE: NONE

CITY OF DEER PARK

CONNECT COMMERCIAL/RESIDENTIAL DRIVEWAY TO EXISTING PAVED STREET

Drawn By : DO Date : JANUARY 2023
 Checked By : DJV Scale : NONE

No.	Revision	Date
1		
2		
3		
4		
5		

Project No.: _____
 Drawing No.: _____
 Sheet 1 of 1